

8 7 6 5 4 3 2 1

D

D

C

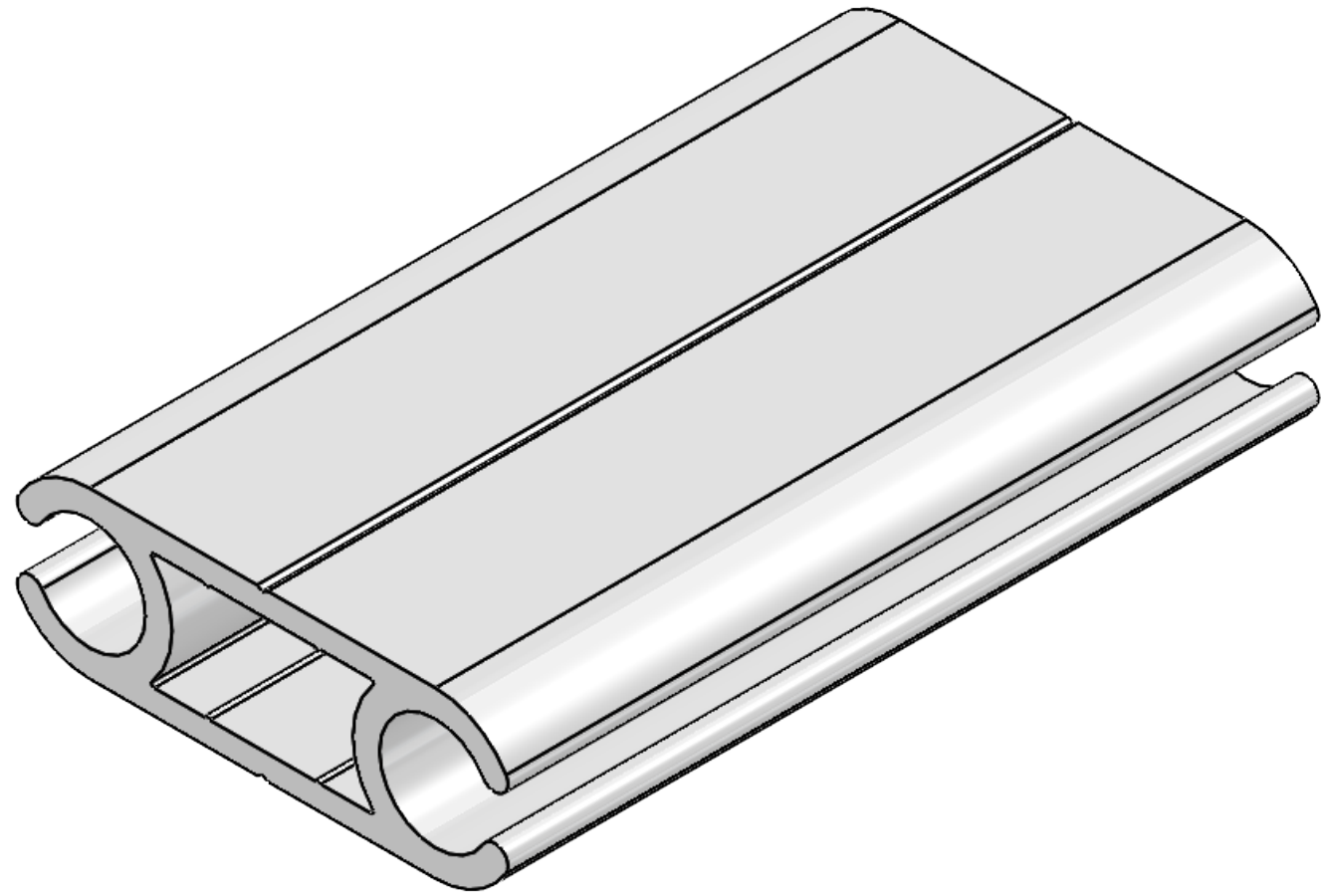
C

B

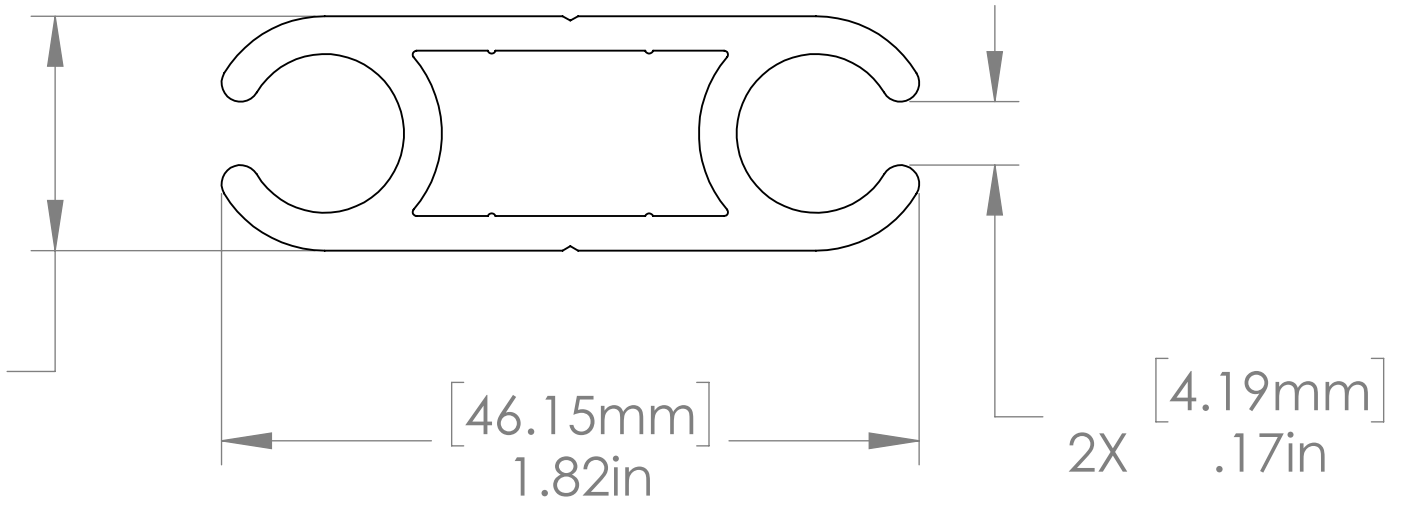
B

A

A



[15.5mm]  
.61in



**PROPRIETARY AND CONFIDENTIAL**  
THE INFORMATION CONTAINED IN THIS DRAWING IS THE SOLE PROPERTY OF KEDER SOLUTIONS, LLC. ANY REPRODUCTION IN PART OR AS A WHOLE WITHOUT THE WRITTEN PERMISSION OF KEDER SOLUTIONS, LLC IS PROHIBITED.

UNLESS OTHERWISE SPECIFIED:	
DIMENSIONS ARE IN INCHES	
TOLERANCES:	
FRACTIONAL ±	
ANGULAR: ±	
TWO PLACE DECIMAL ±	
THREE PLACE DECIMAL ±	
INTERPRET GEOMETRIC TOLERANCING PER:	
MATERIAL	PVC - WHITE
FINISH	
DO NOT SCALE DRAWING	

	NAME	DATE
DRAWN	JAW	4/26/2012
CHECKED	JAW	4/26/2012
<b>KEDER SOLUTIONS, LLC</b>		
7265 S. 1ST STREET OAK CREEK, WI 53154 PH: 888-727-7050 F: 888-727-7060		

TITLE: KEDER RAIL, 9.0mm DOUBLE PVC		
SIZE	DWG. NO.	REV
<b>B</b>	90-PVC-DUB	A
SCALE: 2:1	WEIGHT:	SHEET 1 OF 1

8 7 6 5 4 3 2 1