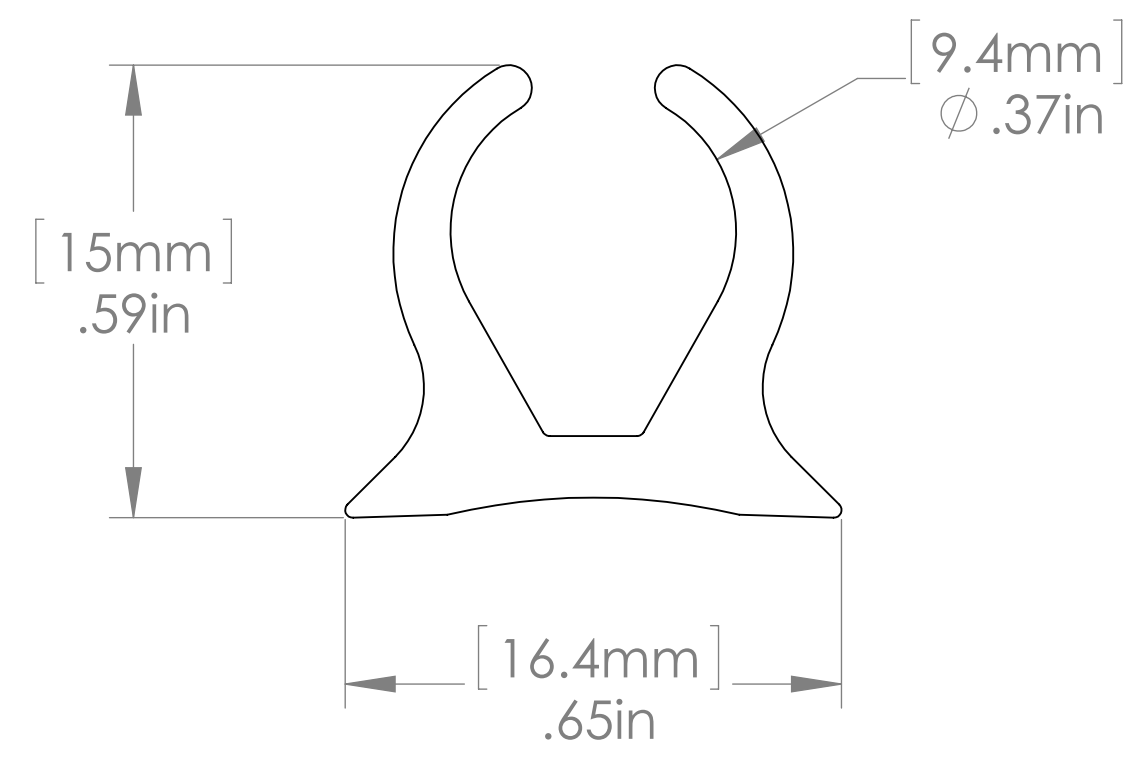
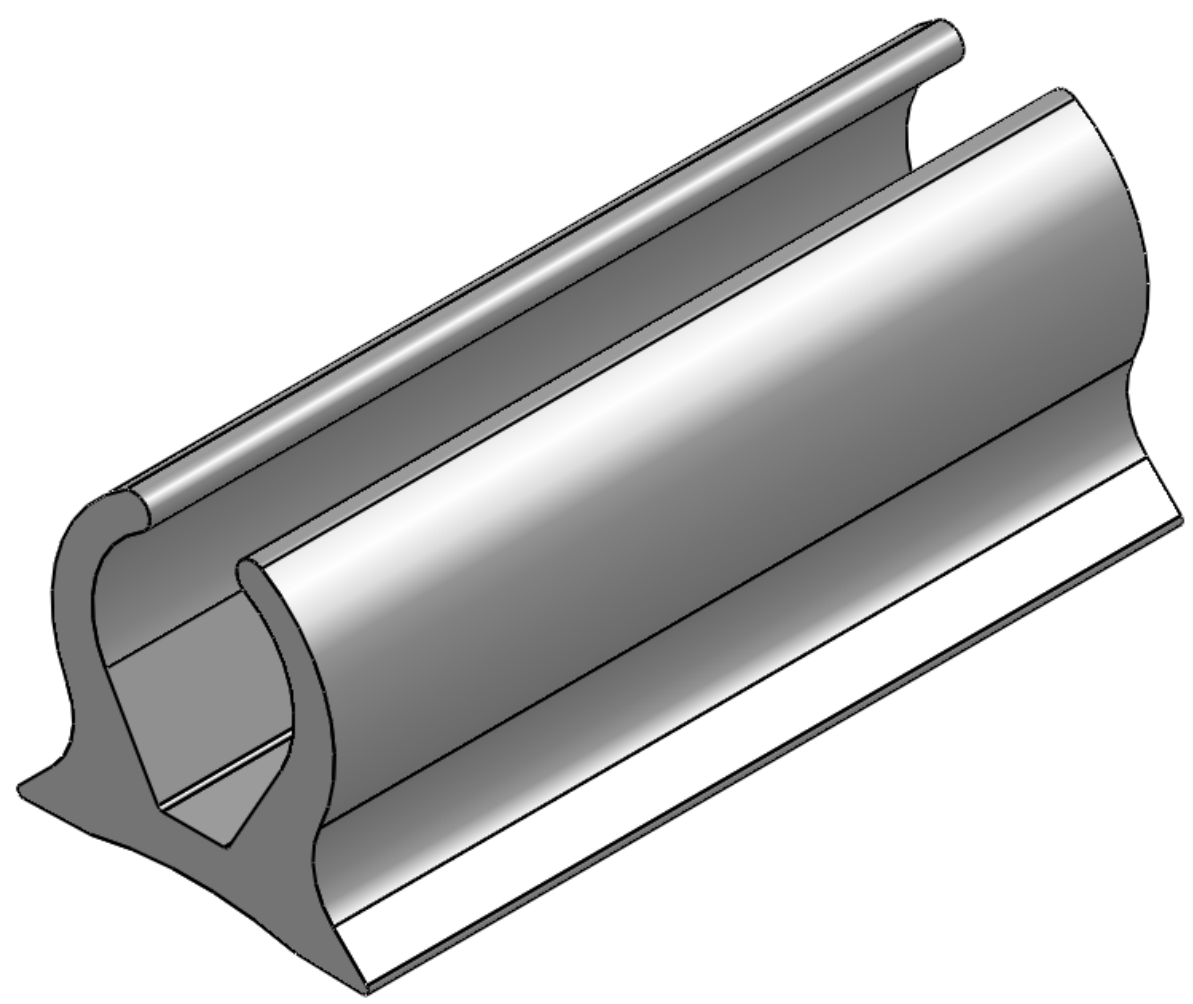


8 7 6 5 4 3 2 1

D  
C  
B  
A

D  
C  
B  
A



PROPRIETARY AND CONFIDENTIAL  
THE INFORMATION CONTAINED IN THIS  
DRAWING IS THE SOLE PROPERTY OF  
KEDER SOLUTIONS, LLC ANY  
REPRODUCTION IN PART OR AS A WHOLE  
WITHOUT THE WRITTEN PERMISSION OF  
KEDER SOLUTIONS, LLC IS PROHIBITED.

UNLESS OTHERWISE SPECIFIED:			
DIMENSIONS ARE IN INCHES			
TOLERANCES:			
FRACTIONAL: ± 1/32			
ANGULAR: ± 1°			
TWO PLACE DECIMAL ± .01			
THREE PLACE DECIMAL ± .005			
INTERPRET GEOMETRIC TOLERANCING PER:			
MATERIAL PVC			
FINISH			
DO NOT SCALE DRAWING			

	NAME	DATE
DRAWN	JAW	6/23/11
CHECKED	JAW	6/23/11
7265 S. 1ST STREET OAK CREEK, WI 53154 PH: 888-727-7050 F: 888-727-7060		



TITLE: 8.5mm RADIUS RAIL		
SIZE <b>B</b>	DWG. NO. 85-KR-RAD	REV A
SCALE: 2:1	WEIGHT:	SHEET 1 OF 1

8 7 6 5 4 3 2 1